



filtration

**Technical
datasheet**

WMD220 UF150 65

Hollow fiber ultrafiltration module for water and
wastewater applications

WMD220 UF150 65

General Information

The WMD220 UF150 65 ultrafiltration module is used for potable water production, RO pretreatment, municipal and industrial wastewater treatment. These modules excel in rejecting turbidity, suspended solids, and virus and bacteria. The modules offer outstanding pH and chlorine resistance, excellent mechanical strength of the fibers, and improved fouling behaviour compared to existing ultrafiltration membranes. The WMD220 UF150 65 ultrafiltration modules can be mounted vertically or installed horizontally in pressure vessels.

Membrane characteristics

Membrane material	Modified PES
Membrane fiber inner diameter	0.8 mm (0.031")
Pore size	0.02 µm
Filtration mode	Inside-Out; Vertical or horizontal
Operation mode	Dead-end or cross-flow

Operating Conditions

Typical flux	50 – 100 l/m ² /h (30 – 60 gfd)
Backwash flux	100 – 250 l/m ² /h (60 - 150 gfd)
Max. system pressure (installation with end caps)	3 bar (44 psi)
Max. system pressure (installation in pressure vessels)	Refer to specifications of pressure vessel supplier.
Max. filtration transmembrane pressure (installation with end caps)	1.5 bar (22 psi)
Max. filtration transmembrane pressure (installation in pressure vessels)	1 bar (15 psi)
Max. backwash pressure	2 bar (29 psi)
Max. active chlorine concentration	500 ppm @ pH>10
Max. cumulative active chlorine exposure	250,000 ppm-hours @ pH>10
Max. particle size	200 µm
Max. TSS	200 ppm
Max. turbidity	100 NTU
Max. Temperature during operation & cleaning	40°C (104°F)
pH range during operation	2-12
pH range during cleaning	1-13

WMD220 UF150 65

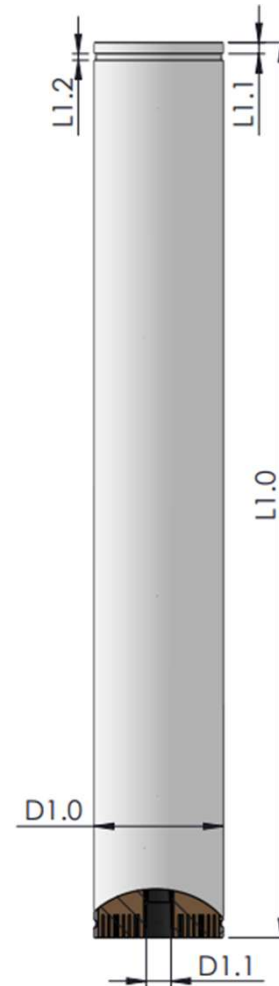
Module Specification

Materials of Construction

Housing	PVC-U
Internals	PP/engineering plastic
Potting	Epoxy resin

Dimensions

Membrane Surface Area	65 m ²
L1.0	1537.5 mm (60.5")
L1.1	19.1 mm (0.75")
L1.2	11.1 mm (0.44")
D1.0	220 mm (8.7")
D1.1	42.6 mm (1.7")



Available Module type

WMD220 UF150 65

Product-Code	ELEUF0028
--------------	-----------

Storage Information

New modules in original packaging can be stored for max. 1 year from shipping date in a dry place, protected from sunlight or any heat source, at temperatures between 1 and 40°C (33 and 104°F);

Ex-factory storage solution: 84wt% water, 15wt% glycerin and 1wt% sodium metabisulfite;

WMD220 UF150 65

Connection Configuration – Vertical

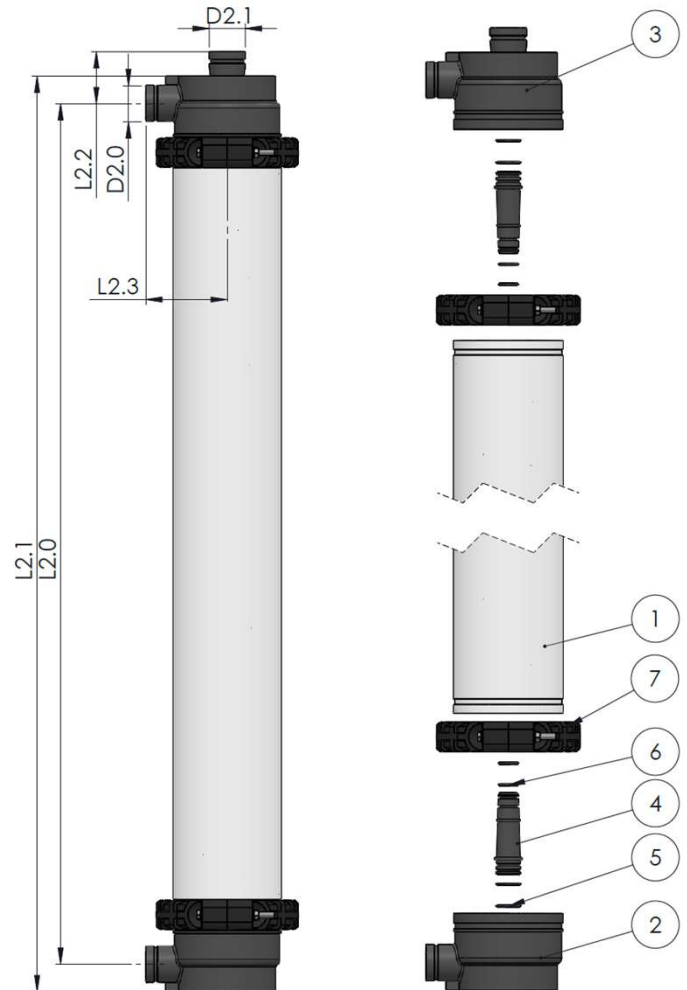
WMD220 UF150 65 ultrafiltration modules are intended for vertical mounting within a skid. Each module has a top and bottom endcap connected by couplings, providing three ports. These modules are connected inside the skid, creating a modular system that allows for flexible and scalable configurations.

Dimensions

L2.0	1740 mm (68.5")
L2.1	1852 mm (72.9")
L2.2	105 mm (4.1")
L2.3	165 mm (6.5")
D2.0	2.5" groove
D2.1	2.5" groove

Assembly Components

(1)	WMD220 UF Module
(2)	End Cap Groove 8" Non-Ported
(3)	End Cap Groove 8" Ported
(4)	UF Groove permeate connector
(5)	O-ring EPDM Ø40.8x4.6 mm
(6)	O-ring EPDM Ø32x4.5 mm
(7)	75N Nylon Flexible Coupling DN200 8"



Available Set (Components 1-7)

WMD220 UF150 65 Vertical Set

Set-Code

SETUF0043

WMD220 UF150 65

Connection Configuration – Horizontal

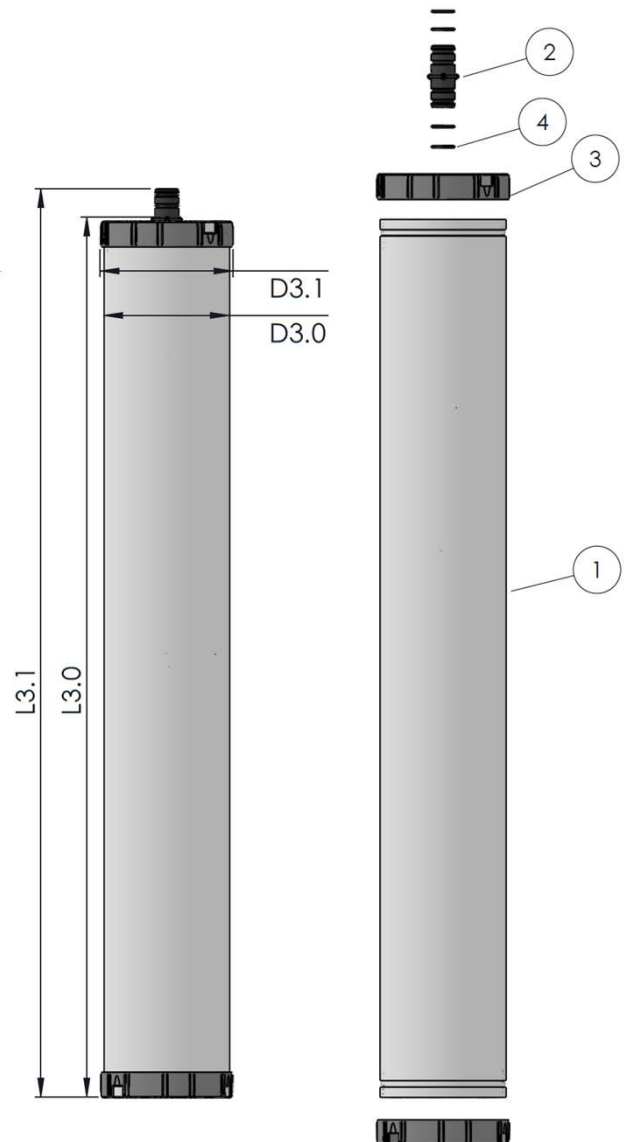
WMD220 UF150 65 ultrafiltration modules are designed for horizontal installation within pressure vessels. The setup requires the use of spacer rings and permeate interconnectors.

Dimensions

L3.0	1547 mm (60.9")
L3.1	1597 mm (62.9")
D3.0	220 mm (8.7")
D3.1	232.6 mm (9.2")

Assembly Components

(1)	WMD220 UF Module
(2)	Interconnector open
(3)	O-ring EPDM 32x4.5mm
(4)	Spacer ring PP, Ø228x45mm



Available Set (Components 1-4)

WMD220 UF150 65 Horizontal Set

Set-Code

SETUF0044

WMD220 UF150 65

Weight Information

Weight	WMD220 UF150 65 Horizontal Set	WMD220 UF150 65 Vertical Set
Empty weight Module (without assembly components)	30 kg (66 lbs)	30 kg (66 lbs)
Empty weight Module including assembly components	30.5 kg (67 lbs)	39 kg (86 lbs)
Filled Module including assembly components	62.5 kg (138 lbs)	77 kg (170 lbs)

Shipping Information

Each module is individually packed in a vacuum sealed plastic bag. For small quantities, modules and endcaps are shipped in separate cardboard boxes:

- Shipping weight per module: 38 kg (84 lbs.);
- Shipping weight per horizontal assembly (2 spacer rings + permeate interconnector): 1.5 kg (3 lbs.);
- Shipping weight per endcap assembly (2 end caps + grooved couplings): 10 kg (22 lbs.);

For large shipments, modules are loaded in a wooden crate with a max. of 20 modules per crate:

- Crate dimensions: 100 x 125 x 173 cm; 40 x 50 x 68 in (L x W x H);
- Shipping weight per crate (20 modules), excl. assembly components: 660 kg (1455 lbs.)

Haaksbergerstraat 95 +31 (0)850 479 900
7554 PA Hengelo info@nxfiltration.com
The Netherlands www.nxfiltration.com

The statements, technical information and recommendations contained herein are believed to be accurate at the date of publication. Since the conditions and methods of use of the product and/or the information referred to herein are beyond our control, NX Filtration B.V. expressly disclaims any and all liability as to any results obtained from or arising out of any use of the product and/or reliance on such information. NO WARRANTIES OR GUARANTEES OF ANY KIND, EITHER EXPRESSED OR IMPLIED, INCLUDING BUT NOT LIMITED TO WARRANTIES OF MERCHANTABILITY, FITNESS FOR A PARTICULAR PURPOSE, OF TITLE, OF NONINFRINGEMENT OF THIRD-PARTY RIGHTS OR ANY OTHER WARRANTY ARE MADE CONCERNING THE PRODUCTS DESCRIBED AND/OR THE INFORMATION PROVIDED HEREIN.

©2026 NX Filtration B.V. | All rights reserved worldwide